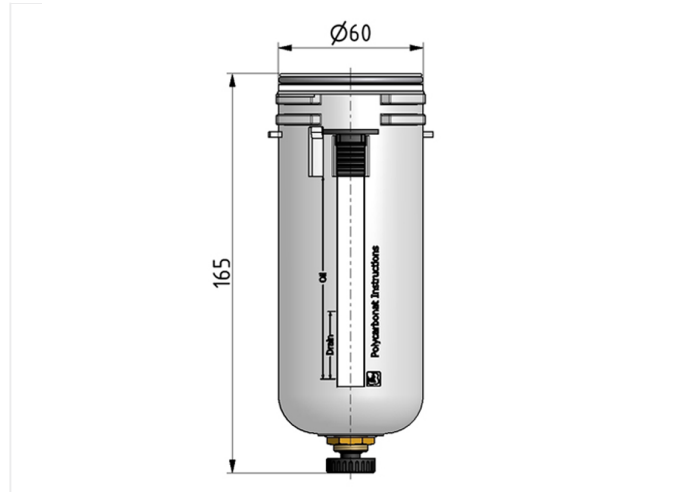


Accessories of the Futura series

PC bowl with bowl guard, semi automatic drain and o-ring 55x2,5



type	part-number	series 1	series	weight
BE.4 HA3	90004.0200	Futura	BG4	0.251 kg

technical data

- supply pressure P1 min.: 1,5 bar
- supply pressure P1 max.: 16 bar
- temperature range: 0 - 50°C
- bowl: PC with PA bowl guard
- drain: HA3
- fixing: bayonet catch

accessories